

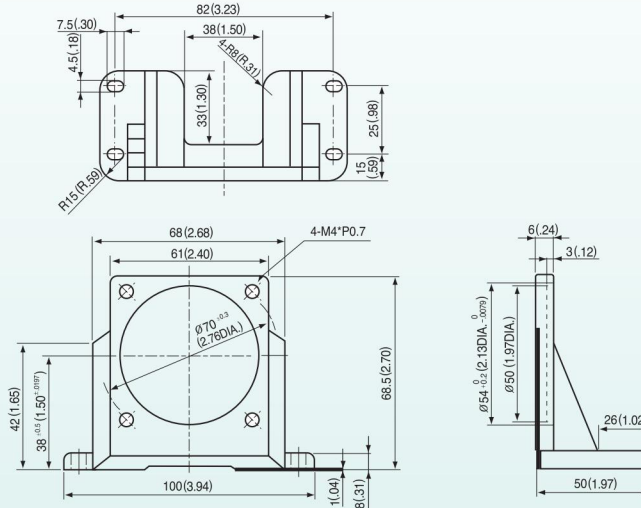
MOTOR & GEAR HEAD 취부(MOUNTING)PLATE

60(2.36)



Dimension

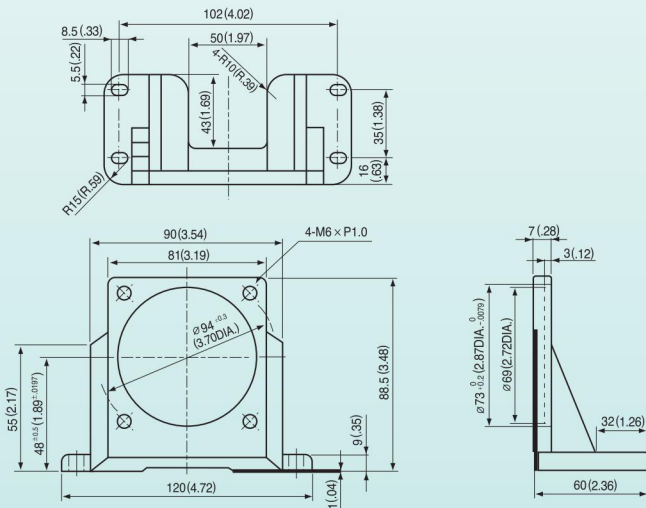
[Unit : mm(inch)]



80(3.15)



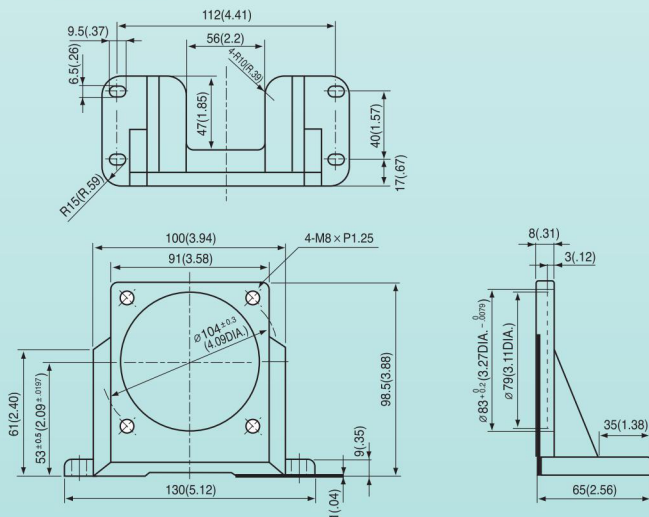
Dimension



90(3.54)



Dimension



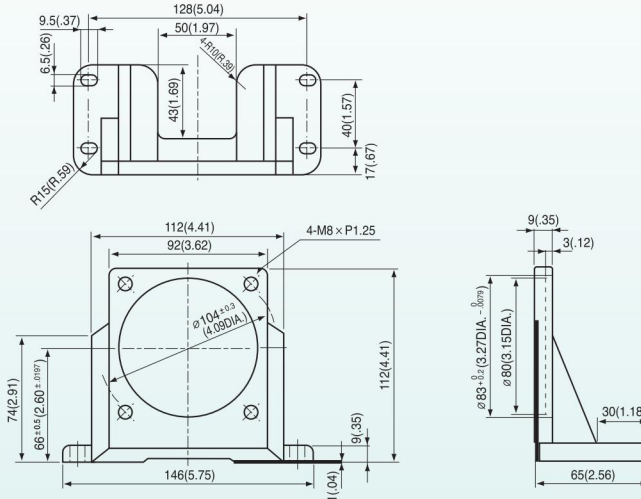
MOTOR & GEAR HEAD MOUNTING PLATE

▪ □ 90(3.54)



▪ Dimension

[Unit : mm(inch)]



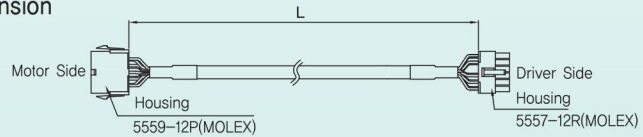
연장선 (EXTENSION CABLE)

[Unit : mm(in)]



▪ XB Series / XW Series

▪ Dimension



·10W~150W

[연장 (Extension) cable]

Model	L(연장선 길이 (Extension wire))
XEAEW-1	1m(39.37)
XEAEW-2	2m(78.74)
XEAEW-3	3m(118.11)
XEAEW-5	5m(196.85)
XEAEW-10	10m(393.7)

·200W, 400W

[연장 (Extension) cable]

Model	L(연장선 길이 (Extension wire))
XEAEW-1H	1m(39.37)
XEAEW-2H	2m(78.74)
XEAEW-3H	3m(118.11)
XEAEW-5H	5m(196.85)
XEAEW-10H	10m(393.7)

▪ XV Series

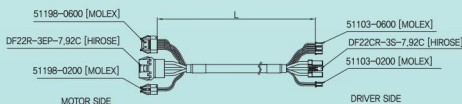
▪ Dimension (표준(Standard) TYPE)



[연장 (Extension) cable]

Model	L(연장선 길이(extension wire))
XVAEW-1	1m
XVAEW-2	2m
XVAEW-3	3m

▪ Dimension (Brake Type)



[연장 (Extension) cable]

Model	L(연장선 길이(extension wire))
XVAEWE-1	1m
XVAEWE-2	2m
XVAEWE-3	3m

[가동용 (Operation for) Cable]

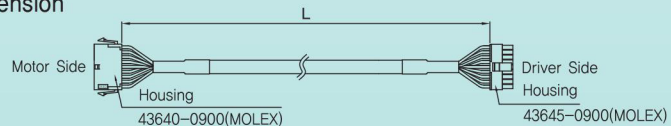
Model	L(연장선 길이 (Extension wire))
MXEAEW-1	1m(39.37)
MXEAEW-2	2m(78.74)
MXEAEW-3	3m(118.11)
MXEAEW-5	5m(196.85)
MXEAEW-10	10m(393.7)

[가동용 (Operation for) Cable]

Model	L(연장선 길이 (Extension wire))
MXEAEW-1H	1m(39.37)
MXEAEW-2H	2m(78.74)
MXEAEW-3H	3m(118.11)
MXEAEW-5H	5m(196.85)
MXEAEW-10H	10m(393.7)

▪ XF Series

▪ Dimension



·30W, 50W

[연장 (Extension) cable]

Model	L(연장선 길이 (Extension wire))
XFAEW-0P5F	0.5m(19.69)
XFAEW-1P0F	1m(39.37)
XFAEW-1P5F	1.5m(59.06)

·100W

[연장 (Extension) cable]

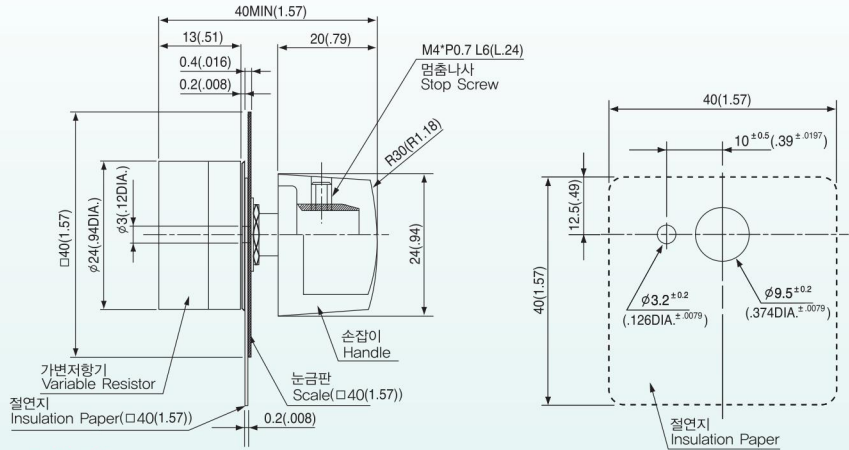
Model	L(연장선 길이 (Extension wire))
XEAEW-0P5H	0.5m(19.69)
XEAEW-1H	1m(39.37)
XEAEW-1P5H	1.5m(59.06)

외부속도 설정기 (EXTERNAL SPEED POTENTIOMETER)



Dimension

[Unit : mm(inch)]



Model

Model	특성 (Characteristics)
SVR20KH	20k Ω , 1/4W · B특성 (Characteristics)

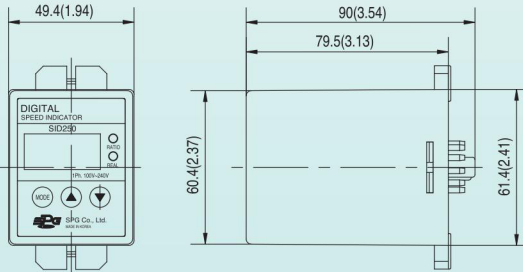
DIGITAL SPEED INDICATOR

품명 (PART NAME) : SID250

MOTOR 회전속도나 GEARHEAD출력축 회전속도를 직접 표시 할 수 있는 Free 전원 Type의 Digital표시형 회전계 입니다.
(This is free power type of digital displayed speed indicator, that can directly displays rotation speed for the motor and the gearhead output shaft.)



Dimension [Unit : mm(inch), Weight : 200g(0.44lb)]

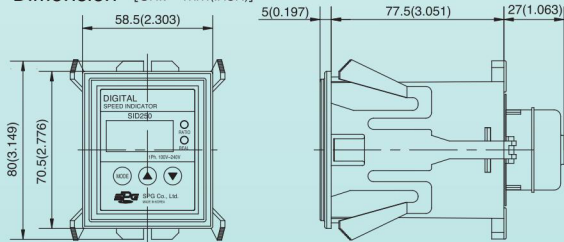


부속품 (Accessory)

Panel설치용 취부 ADAPTOR 1개, 원형 SOCKET 1개가 부속되어 있습니다.
(1 adaptor for installing panel and 1 round socket are fitted.)

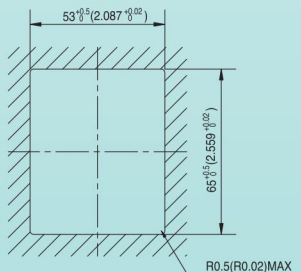
본체에 ADAPTOR와 원형 SOCKET을 장착한 경우 (If adaptor and round socket is mounted in the body)

Dimension [Unit : mm(inch)]



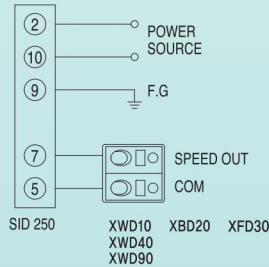
설치 HOLE 가공치수 (Installation hole machined dimension)

Dimension [PANEL 두께(thick) : 1mm~3.2mm]

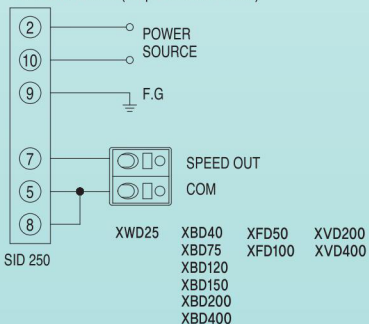


접속에 (Interface example)

X-TOR Series(12 pulse/rotation)



X-TOR Series(15 pulse/rotation)

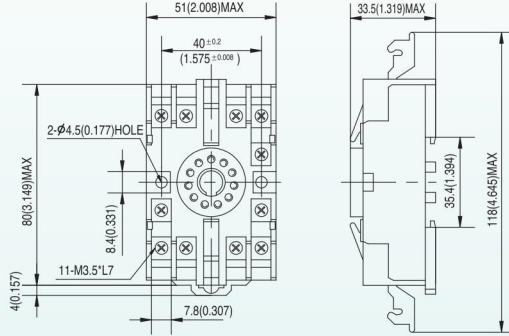


DIN RAIL 취부(MOUNTING) SOCKET

■ 품명 (PART NAME) : SB11-H



■ Dimension [Unit : mm(inch), 무게 (Weight) : 75g(0.165lb)]



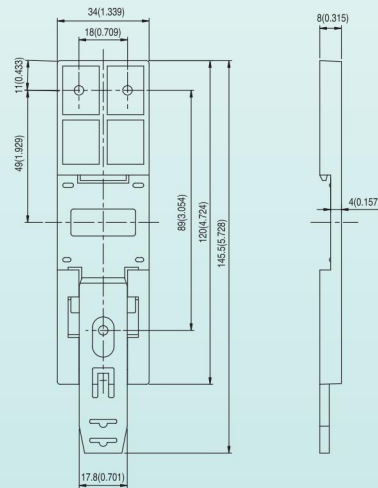
※ Application Model : SID250

DIN RAIL 취부(MOUNTING) PLATE

■ 품명 (PART NAME) : SDP-01



■ Dimension [Unit : mm(inch)]



※ Application Model : XLA, XBA Series